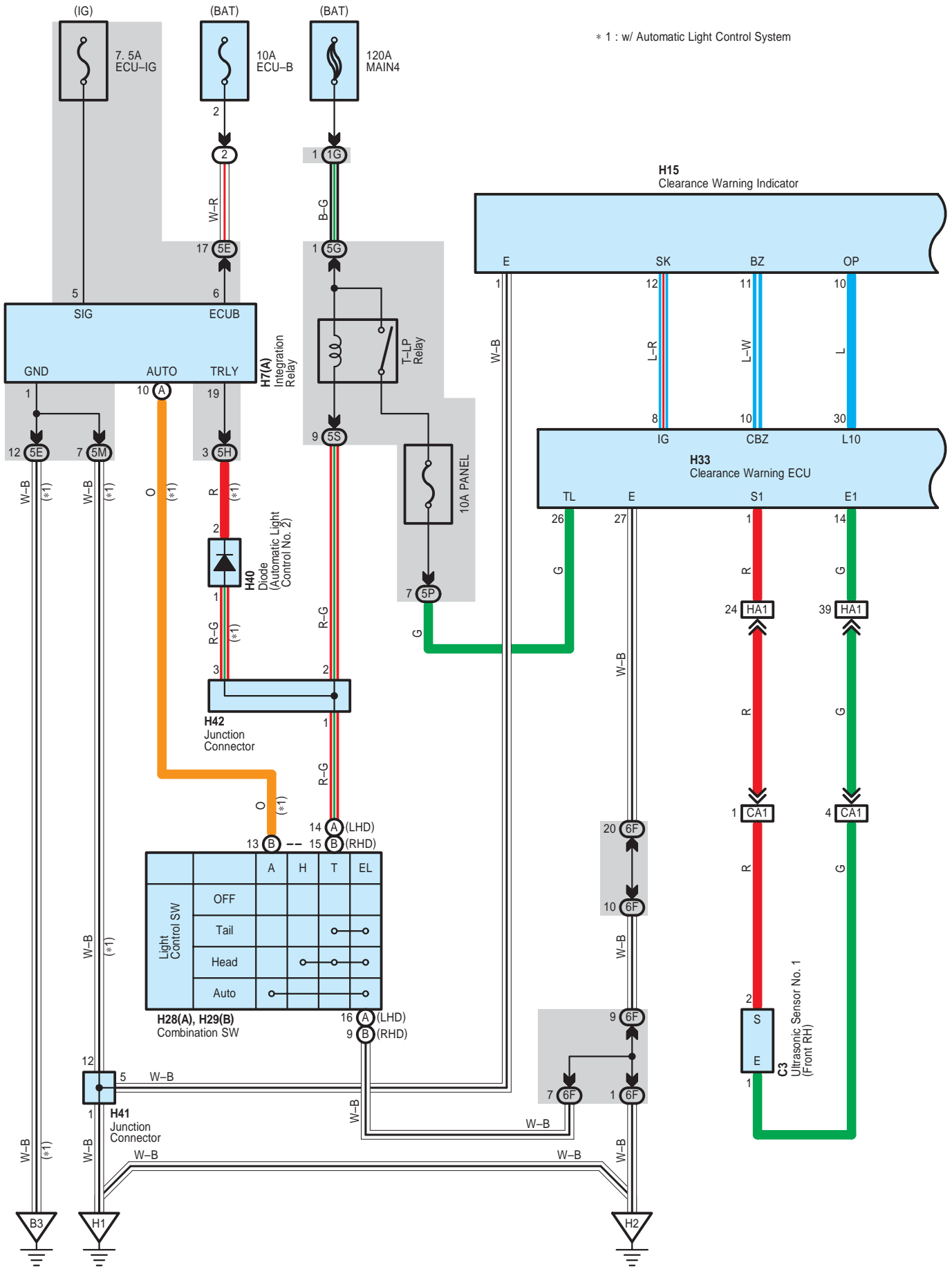
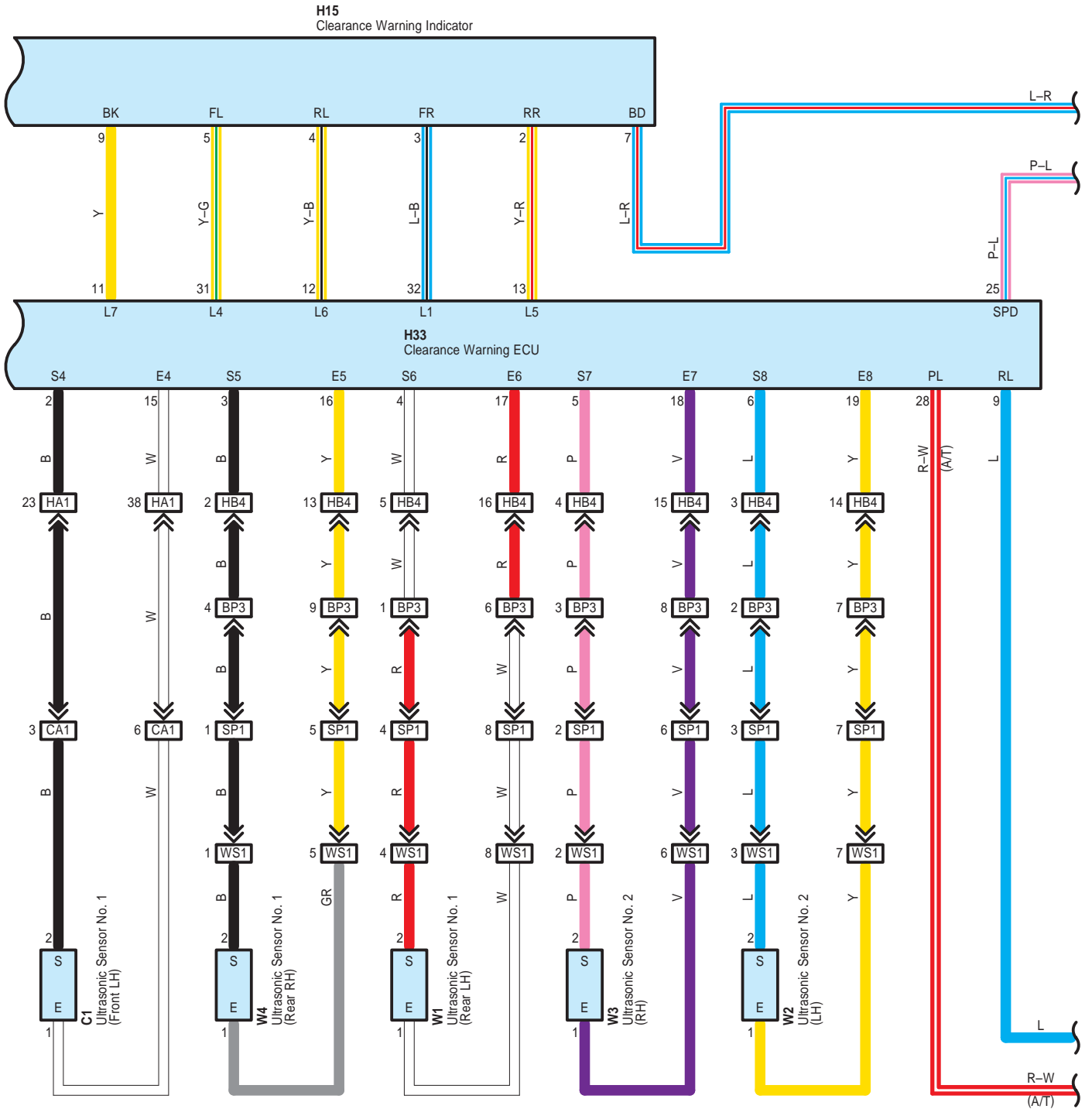
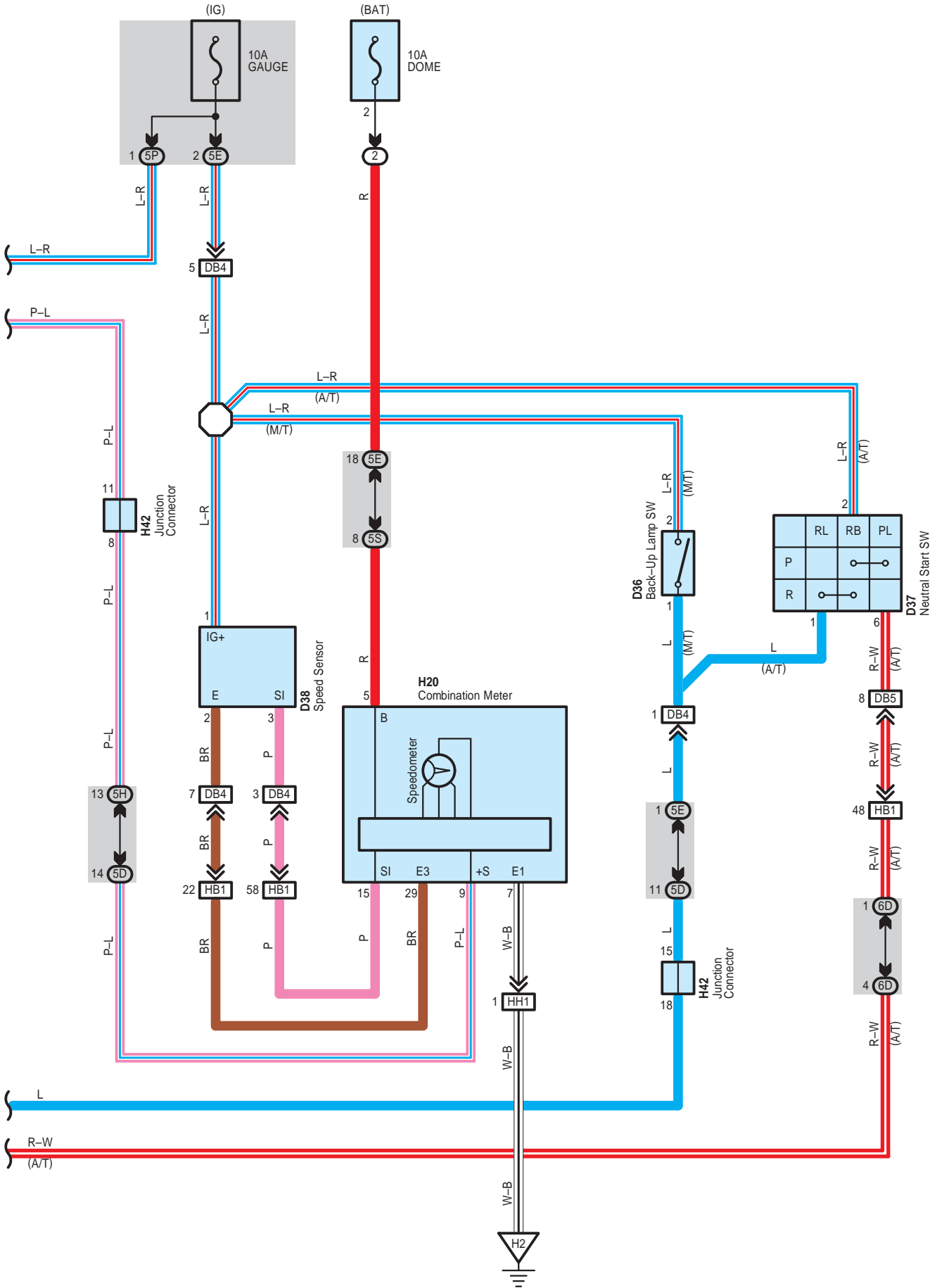


# TOYOTA Parking Assist (Clearance Sonar)





# TOYOTA Parking Assist (Clearance Sonar)



## System Outline

The sonar is a warning system with buzzer sound of distance and position of obstacle from the ultrasonic sensor No.1, No.2 which detects obstacles behind the vehicle.

## ○ : Parts Location

Code	See Page	Code	See Page	Code	See Page	
C1	48 (LHD)	H15	49 (LHD)	H42	49 (LHD)	
	56 (RHD)		57 (RHD)		57 (RHD)	
C3	48 (LHD)	H20	49 (LHD)	W1	51 (LHD)	
	56 (RHD)		57 (RHD)		59 (RHD)	
D36	44 (*1)	H28	A	49 (LHD)	W2	51 (LHD)
	52 (*4)	H29	B	57 (RHD)		59 (RHD)
D37	44 (*1)	H33		49 (LHD)	W3	51 (LHD)
	52 (*4)			57 (RHD)		59 (RHD)
D38	44 (*1)	H40		57 (RHD)	W4	51 (LHD)
	52 (*4)	H41		49 (LHD)		59 (RHD)
H7	A				57 (RHD)	

## ○ : Relay Blocks

Code	See Page	Relay Blocks (Relay Block Location)
2	28	Engine Room R/B No.2 (Inside of Battery Room)

## ○ : Junction Block and Wire Harness Connector

Code	See Page	Junction Block and Wire Harness (Connector Location)
1G	24	Engine Room Main Wire and Engine Room J/B No.1 (Engine Compartment Front)
5D	30	Instrument Panel Wire and Instrument Panel J/B (Left Side of Instrument Panel)
5E	30	Engine Room Main Wire and Instrument Panel J/B (Left Side of Instrument Panel)
5G		
5H	30	Instrument Panel Wire and Instrument Panel J/B (Left Side of Instrument Panel)
5M	31	
5P		
5S		
6D		
	38 (RHD)	Instrument Panel Wire and Center J/B (Instrument Panel Reinforcement RH)
6F	38 (LHD)	Instrument Panel Wire and Center J/B (Instrument Panel Reinforcement LH)
	38 (RHD)	Instrument Panel Wire and Center J/B (Instrument Panel Reinforcement RH)

\* 1 : LHD 2TR-FE   \* 2 : LHD 2KD-FTV   \* 3 : LHD 5L-E   \* 4 : RHD 2TR-FE   \* 5 : RHD 2KD-FTV   \* 6 : RHD 5L-E   \* 7 : 2TR-FE  
 \* 8 : 2KD-FTV, 5L-E

# TOYOTA Parking Assist (Clearance Sonar)

 : Connector Joining Wire Harness and Wire Harness

Code	See Page	Joining Wire Harness and Wire Harness (Connector Location)
BP3	66 (LHD)	Engine Room Main Wire and Frame Wire (Under the Floor Panel)
	74 (RHD)	
CA1	64 (LHD)	Engine Room No.4 Wire and Cowl to Head Lamp Wire (Dash Panel Left)
	72 (RHD)	
DB4	60 (*1)	Engine Wire and Engine Room Main Wire (Front Side of Engine Room R/B No.1)
	68 (*4)	
DB5	60 (*1)	
	68 (*4)	
HA1	64 (LHD)	Instrument Panel Wire and Cowl to Head Lamp Wire (Under the Instrument Panel J/B)
	72 (RHD)	
HB1	64 (LHD)	Instrument Panel Wire and Engine Room Main Wire (Under the Instrument Panel J/B)
	72 (RHD)	
HB4	64 (LHD)	
	72 (RHD)	
HH1	64 (LHD)	Instrument Panel Wire and Instrument Panel Wire (Near the Steering Column)
	72 (RHD)	Instrument Panel Wire and Instrument Panel Wire (Instrument Panel Reinforcement RH)
SP1	66 (LHD)	Frame No.3 Wire and Frame Wire (Under the Floor Panel)
	74 (RHD)	
WS1	66 (LHD)	Luggage Room Wire and Frame No.3 Wire (Inside of Rear Bumper LH Side)
	74 (RHD)	

 : Ground Points

Code	See Page	Ground Points Location
B3	68 (*4)	Front Floor Panel Left
H1	64 (LHD)	Instrument Panel Reinforcement
	72 (RHD)	
H2	64 (LHD)	
	72 (RHD)	

\* 1 : LHD 2TR-FE   \* 2 : LHD 2KD-FTV   \* 3 : LHD 5L-E   \* 4 : RHD 2TR-FE   \* 5 : RHD 2KD-FTV   \* 6 : RHD 5L-E   \* 7 : 2TR-FE  
 \* 8 : 2KD-FTV, 5L-E

