

## 2002 Saturn L SERIES

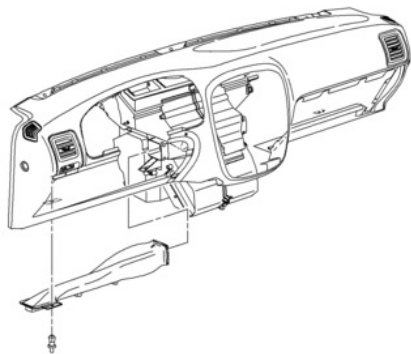
Submodel: | Engine Type: L4 | Liters: 2.2

Fuel Delivery: FI | Fuel: GAS

---

### Steering Column Replacement

#### Removal Procedure

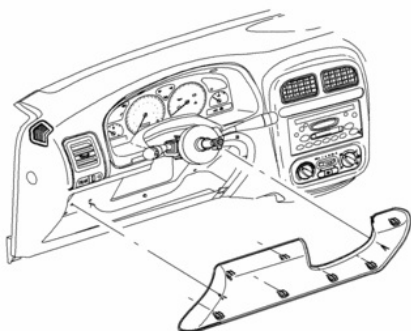


[Click to Enlarge](#)

#### Caution!

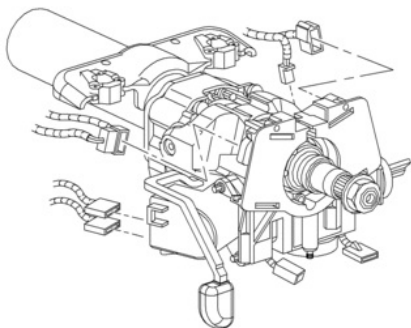
Cover driver seat to protect seat trim.

1. Disable the SIR system. Refer to Disabling the SIR System in SIR.
2. Remove SIR coil assembly. Refer to Inflatable Restraint Steering Wheel Module Coil Replacement in SIR.
3. Remove HVAC duct.



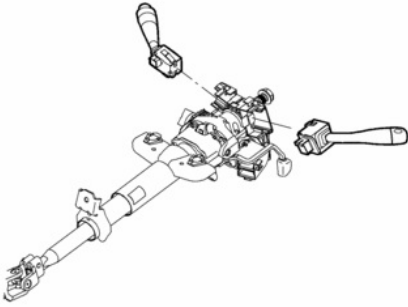
[Click to Enlarge](#)

4. Remove knee bolster.



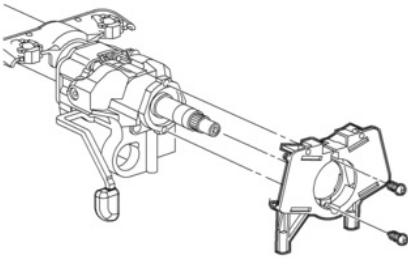
[Click to Enlarge](#)

5. Disconnect connectors at wiper/washer switch and headlamp/turn switch.
6. Disconnect ignition switch electrical connectors at left of steering column.
7. Disconnect interlock solenoid electrical connector at right of steering column.
8. Disconnect ignition switch connector at right of column.



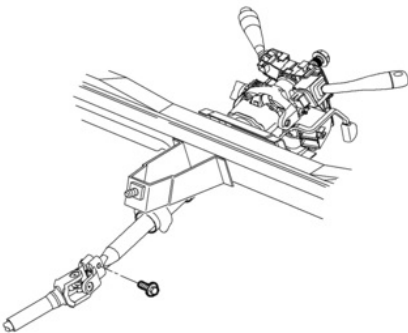
[Click to Enlarge](#)

9. Remove wiper/washer and headlamp/turn signal switch.



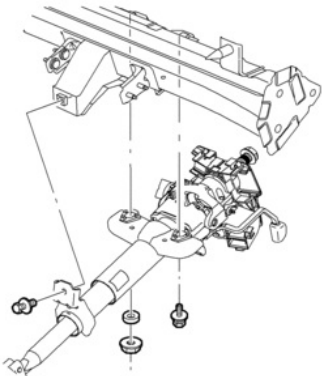
[Click to Enlarge](#)

10. Remove signal switch housing.



[Click to Enlarge](#)

11. Remove upper intermediate shaft bolt and disconnect shaft from steering column.



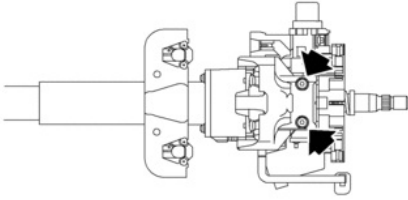
[Click to Enlarge](#)

12. Remove steering column lower support bolt.

**Important**

Behind the nut is a plastic locator for steering column. This piece will center steering column in front of driver in the event of an accident.

13. Remove steering column upper support bolt and nut.
14. Remove steering column from vehicle.

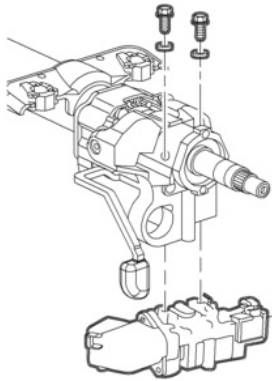


[Click to Enlarge](#)

**Important**

The following steps are provided if replacing steering column.

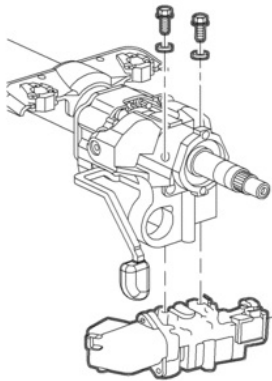
15. Position steering column in a vise at upper bracket. Using a centering punch, mark the center of shear bolts on lock cylinder housing assembly.



[Click to Enlarge](#)

16. Drill a small hole (1/8 in. drill bit) in shear bolts at center mark. Remove shear bolts with a screw extractor, and remove ignition module and housing from steering column.

**Installation Procedure**

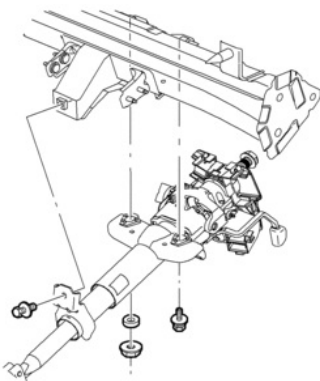


[Click to Enlarge](#)

**Important**

The following step is used if replacing steering column.

1. Use new shear bolts to install lock cylinder housing assembly on steering column. Torque shear bolts until heads break off.
2. Carefully place the steering column in the vehicle.



[Click to Enlarge](#)

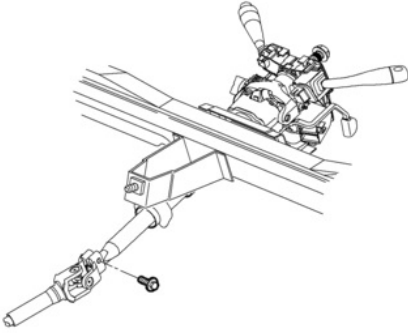
**Important**

The plastic steering column locator should be installed behind upper steering column mount nut. This locator centers steering column to driver in the event of an accident

3. Install upper and lower steering column mount bolts and upper steering column mount nut along with locator.

**Tighten**

Tighten Steering Column-to-IP Support Beam Fasteners to 30 N-m (22 lb ft).



[Click to Enlarge](#)

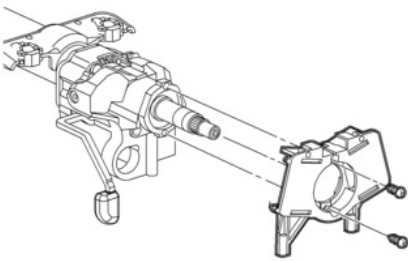
**Important**

Use Loctite 242® Threadlocker (orÅ equivalent) on thread of pinch bolt.

4. Connect intermediate shaft, install pinch bolt.

**Tighten**

Tighten Intermediate Shaft Pinch Bolt to 30 N-m (22 lb ft).

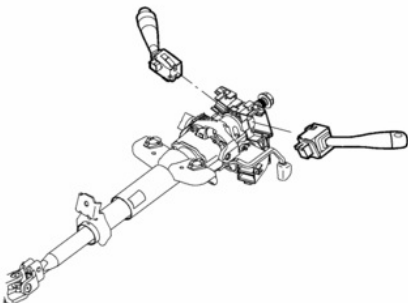


[Click to Enlarge](#)

5. Install signal switch housing to steering column.

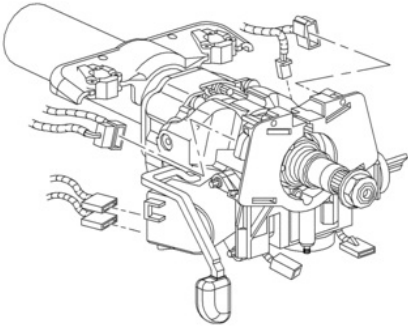
**Tighten**

Tighten Signal Switch Housing-to-Steering Column Screws to 1.5 N-m (14 lb in).



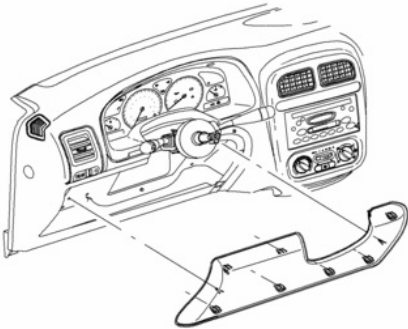
[Click to Enlarge](#)

6. Install wiper/washer and headlamp/turn signal switch.



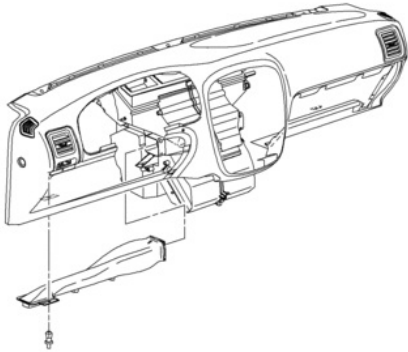
[Click to Enlarge](#)

7. Connect interlock solenoid electrical connector at bottom of steering column.
8. Connect electrical at the wiper/washer switch and headlamp/turn switch.
9. Connect ignition switch connectors at left side of column.
10. Connect ignition switch connector at right side of column.



[Click to Enlarge](#)

11. Install knee bolster.



[Click to Enlarge](#)

12. Install HVAC duct.
13. Install SIR coil assembly. Refer to Inflatable Restraint Steering Wheel Module Coil Replacement in SIR.
14. Enable the SIR system. Refer to Enabling the SIR System in SIR.