

Fig. 1 Crankshaft & camshaft sprocket timing marks. 2000-05

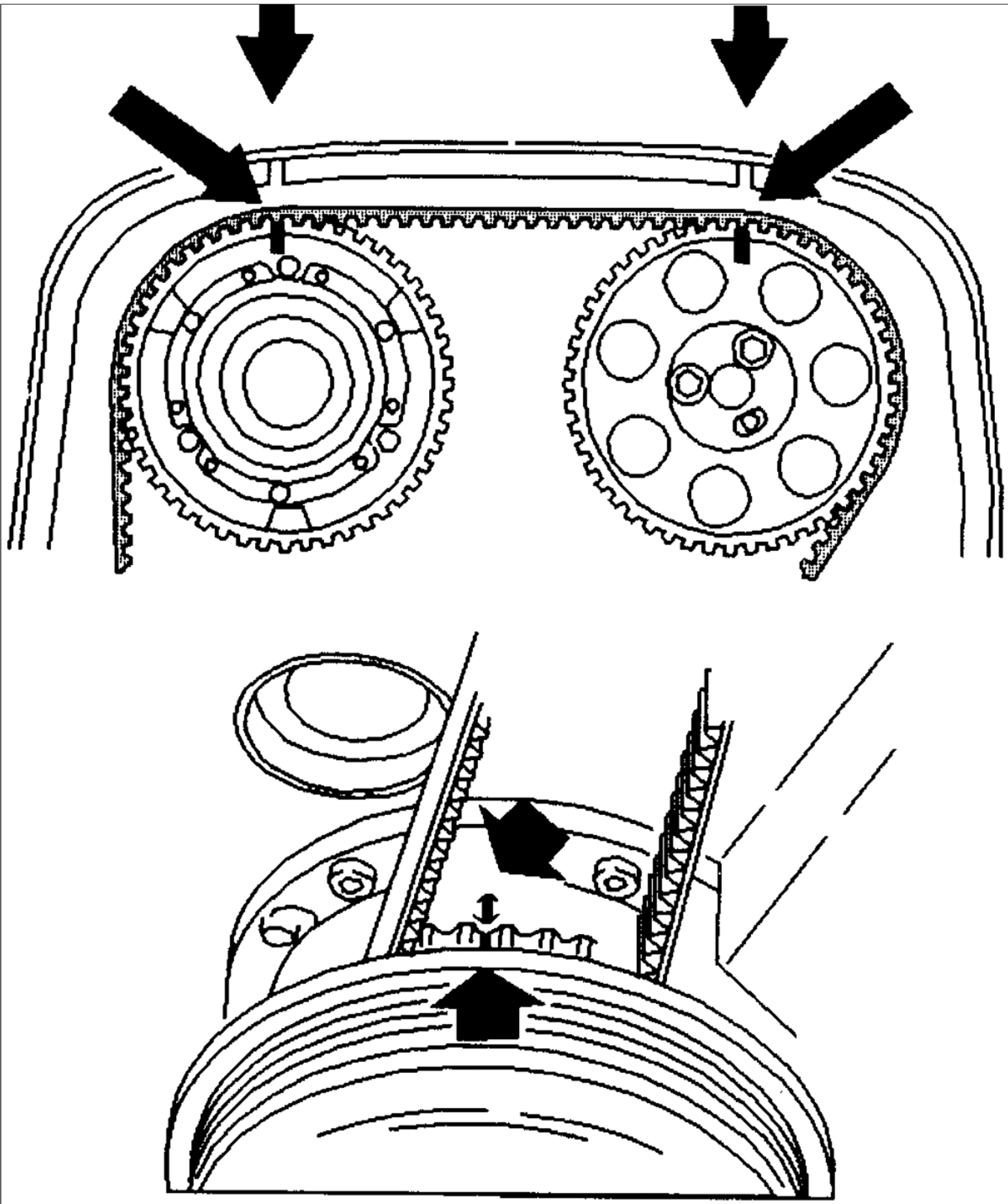


Fig. 2 Timing belt tensioner. 2000-05

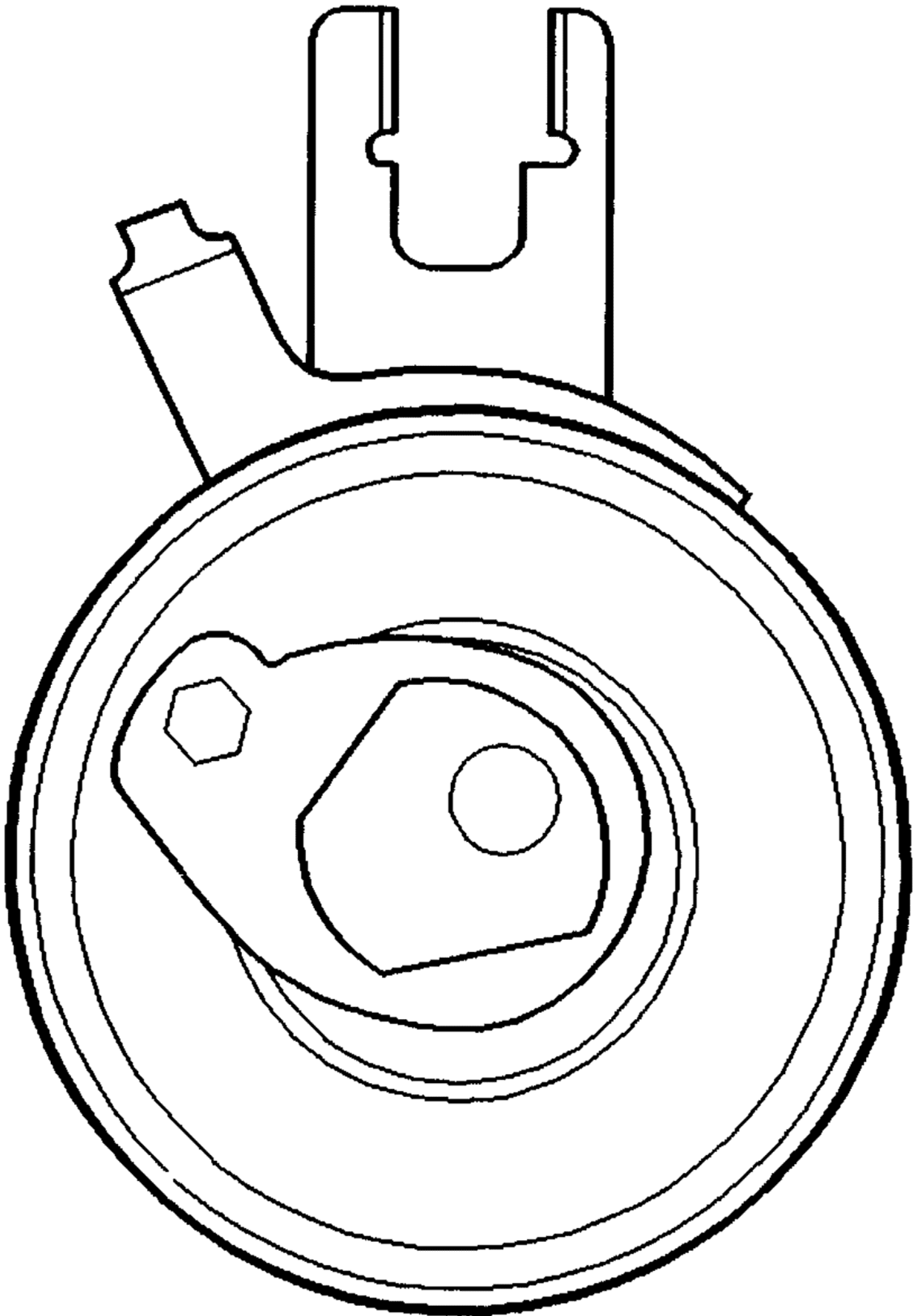


Fig. 3 Timing belt tensioner indicator positions at different temperatures. 2000-05

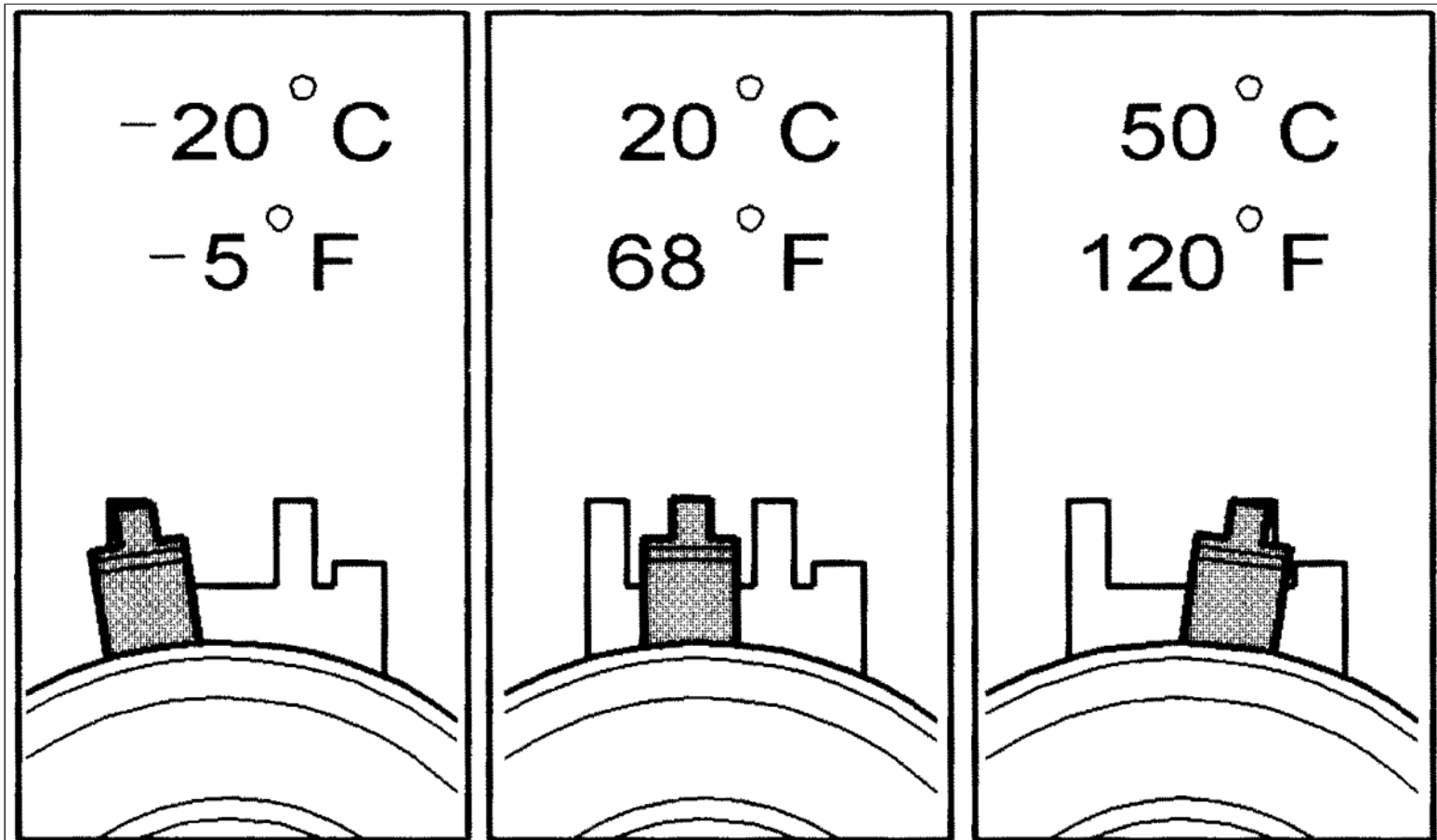


Fig. 4 Checking timing belt tensioner indicator. 2000-05

